

DALSTON
CHAIRS

GIANFRANCO
FERRE
HOME



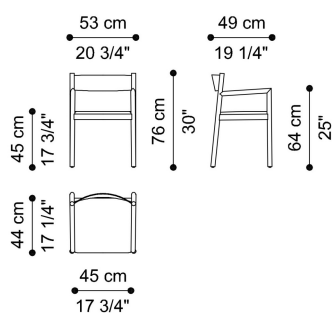
DESCRIPTION

Structure in solid beech wood Dyed Smokey Grey or in solid Canaletto Walnut.
Seat frame with panels in multilayer wood and elastic webbing, padded with polyurethane foam and Dacron.
Upholstery in fabric or leather from the collection.

DIMENSIONS

CHAIR WITH ARMRESTS

F.DAL.132.A

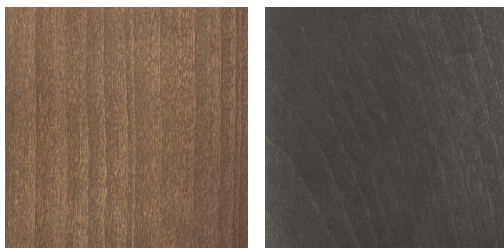


L 53 D 49 H 76 CM

STRUCTURE

WOOD

Solid Wood



Solid Wood Dyed
Canaletto Walnut -
Matt

Solid Wood Dyed
Smokey Grey - Matt

UPHOLSTERY

FABRIC / LEATHER

[download the file in the product page](#)