

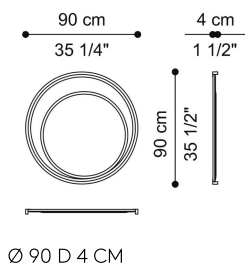


DESCRIPTION

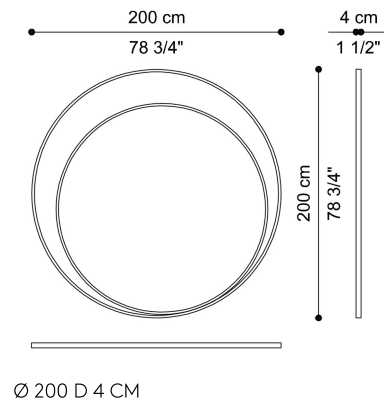
Structure in multilayer poplar wood covered in leather from the collection.  
Frame in metal with Brushed Bronze finishing. Natural bevelled mirror.

DIMENSIONS

MIRROR  
**F.CLL.521.A**



MIRROR  
**F.CLL.521.B**



FRAME

METAL

Brushed Bronze



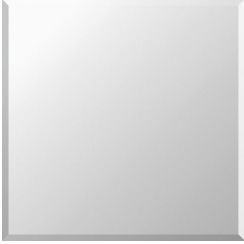
Metal Brushed  
Bronze

---

**MIRROR**

**MIRROR**

Mirror




Natural Mirror

---

**UPHOLSTERY**

**FABRIC / LEATHER**

 [download the file in the product page](#)