

JFK  
ARMCHAIRS

GIANFRANCO  
**FERRE**  
HOME

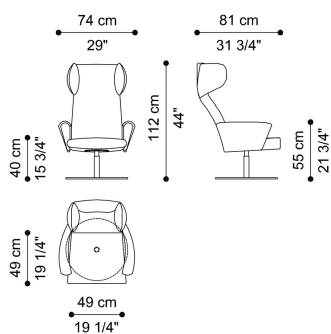


## DESCRIPTION

Structure in multilayer pine wood, multilayer fir wood and Masonite. Padding in variable thickness high density expansive polyurethane foam.  
Upholstery in fabric or leather from the collection.  
Swivel base in aluminium and iron in Black Chrome or Black (matt) finishing.

## DIMENSIONS

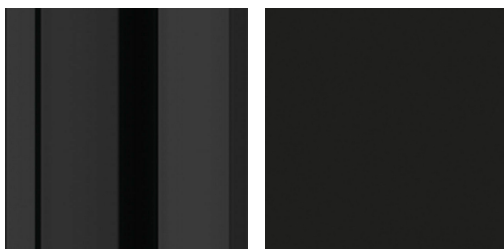
### ARMCHAIR F.JFK.221.A



L 74 D 81 H 112 CM

## BASE

## METAL



Metal Black Chrome - Glossy    Metal Black - Matt

## UPHOLSTERY

## FABRIC / LEATHER

[download the file in the product page](#)

## ACCESSORIES

## DECORATIVE CUSHIONS

[download the file in the product page](#)

**JFK**  
ARMCHAIRS

**GIANFRANCO**  
**FERRE**  
HOME