

JFK  
ARMCHAIRS

GIANFRANCO  
**FERRE**  
HOME



---

**DESCRIPTION**

Structure in multilayer pine wood, multilayer fir wood and Masonite. Padding in variable thickness high density expansive polyurethane foam.

Upholstery in fabric or leather from the collection.

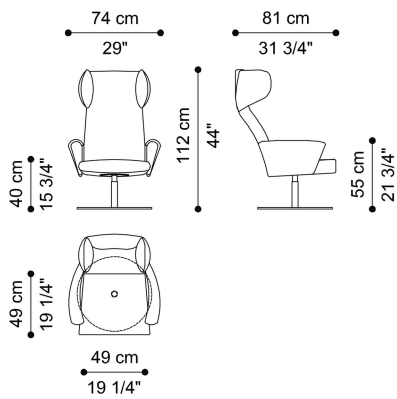
Swivel base in aluminium and iron in Black Chrome or matt Black finishing.

---

**DIMENSIONS**

ARMCHAIR

**F.JFK.221.A**



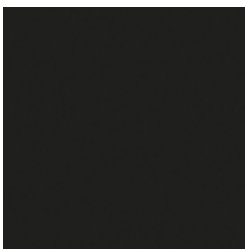
L 74 D 81 H 112 CM

---

**BASE**

**METAL**

Black - Matt



**Metal Black - Matt**

Black Chrome - Glossy



Metal Black Chrome  
- Glossy

---

**UPHOLSTERY**

**FABRIC / LEATHER**

 [download the file in the product page](#)

---

**ACCESSORIES**

**DECORATIVE CUSHIONS**

 [download the file in the product page](#)