

PHOENIX
CHAISE LONGUES AND DORMEUSES

GIANFRANCO
FERRE
HOME



DESCRIPTION

Structure in iron and multilayer poplar wood.

Seat in expansive polyurethane foam and Dacron. Upholstery in fabric or leather from the collection.

Headrest with laser-cut oval inclined section in expansive polyurethane foam and Dacron, with metal joints fixed to the structure.

Upholstery in fabric or leather from the collection.

Decorative belts in Matt Saddle Leather from the collection and metal buckles with Black Chrome or Gold finishing.

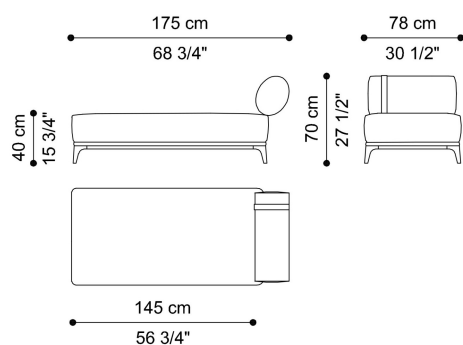
Base in round section tubular aluminium with Black Chrome finishing.

Decorative cushions not included.

DIMENSIONS

DAYBED

F.PHO.227.A



L 175 D 78 H 70 CM

BASE

METAL

Black Chrome - Glossy

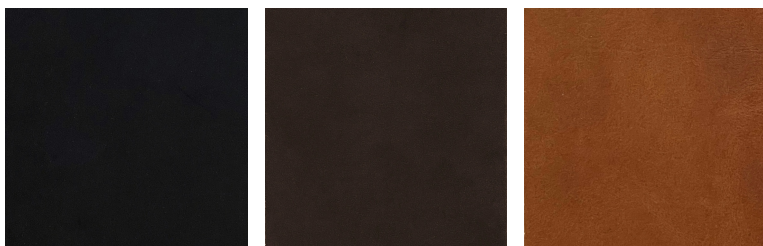


Metal Black Chrome
- Glossy

DECORATIVE BELTS

SADDLE LEATHER

Matt Saddle Leather



Black Saddle Leather
- Matt

Dark Brown Saddle
Leather - Matt

Tan Saddle Leather -
Matt

BUCKLES

METAL

Black Chrome - Glossy



Metal Black Chrome
- Glossy


Gold - Glossy



Metal Gold - Glossy


UPHOLSTERY

FABRIC / LEATHER

 [download the file in the product page](#)

ACCESSORIES

DECORATIVE CUSHIONS

 [download the file in the product page](#)