

PHOENIX  
SOFAS

GIANFRANCO  
**FERRE**  
HOME

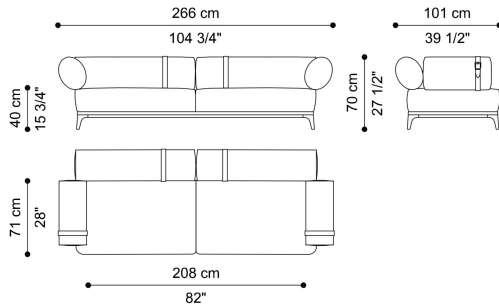


**DESCRIPTION**

Structure in iron and multilayer poplar wood.  
 Seat in expansive polyurethane foam and Dacron. Upholstery in fabric or leather from the collection.  
 Backrest and armrests with laser-cut oval inclined section in expansive polyurethane foam and Dacron, with metal joints fixed to the structure. Upholstery in fabric or leather from the collection.  
 Decorative belts in Saddle Leather from the collection and metal buckles with Black Chrome or Gold finishing.  
 Base in round section tubular aluminium with Black Chrome finishing.  
 Decorative cushions not included.

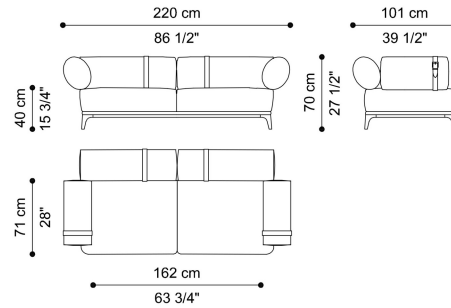
**DIMENSIONS**

**3-SEATER SOFA**  
**F.PHO.211.A**



L 266 D 101 H 70 CM

**2-SEATER SOFA**  
**F.PHO.211.B**



L 220 D 101 H 70 CM

**BASE**

**METAL**



**Metal Black Chrome**  
- Glossy

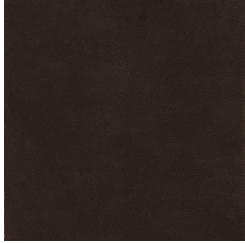
---

DECORATIVE BELTS

SADDLE LEATHER



Black Saddle Leather



Dark Brown Saddle  
Leather



Tan Saddle Leather

---

BUCKLES

METAL



Metal Black Chrome  
- Glossy



Metal Gold - Glossy

---

UPHOLSTERY


FABRIC / LEATHER

 [download the file in the product page](#)

---

ACCESSORIES

DECORATIVE CUSHIONS

 [download the file in the product page](#)