

WYNWOOD
CHAIRS

GIANFRANCO
FERRE
HOME



DESCRIPTION

Structure in solid beech wood Dyed Smokey Grey or Dyed Canaletto Walnut, shaped with variable section, irregular curves and finger joints with CNC technology, installed onto a panel with retractable pins.

Seat frame with panels in curved multilayer wood and elastic webbing, padded with polyurethane foam and Dacron.

Back panel in curved multilayer wood, padded with polyurethane foam.

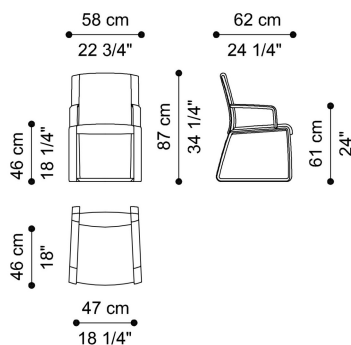
Upholstery in fabric or leather from the collection.

For version with arms, armrests in solid beech wood Dyed Smokey Grey or Dyed Canaletto Walnut, shaped with variable section and irregular curves with CNC technology, installed onto a structure with shaped finger joint.

DIMENSIONS

CHAIR WITH ARMRESTS

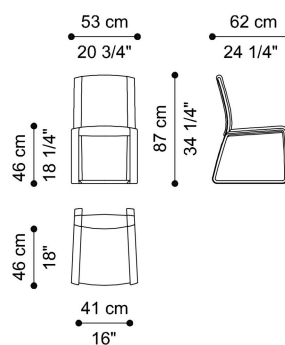
F.WYN.132.A



L 58 D 62 H 87 CM

CHAIR

F.WYN.131.A

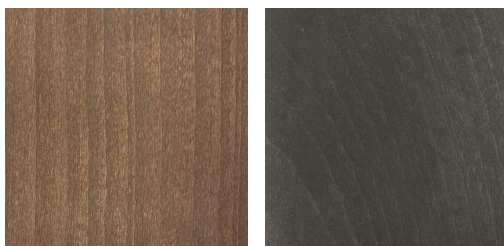


L 53 D 62 H 87 CM

STRUCTURE

WOOD

Solid Wood



Solid Wood Dyed
Canaletto Walnut -
Matt

Solid Wood Dyed
Smokey Grey - Matt

UPHOLSTERY

FABRIC / LEATHER

 download the file in the product page