

WYNWOOD
TABLES

GIANFRANCO
FERRE
HOME



DESCRIPTION

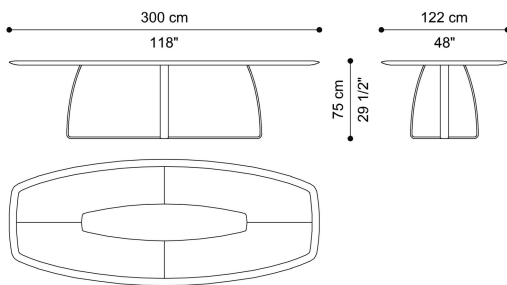
Structure in solid beech wood Dyed Smokey Grey, shaped with variable section by CNC technology, with irregular curves and finger joints, assembled with retractable pins.

Base and top with inserts in laser-cut mirror in any colour from the collection or in leather from the collection, fixed to a reticulated structure with concealed hooks.

Central part of the top in multilayer wood, finished in Tay Veneered Dyed Smokey Grey.

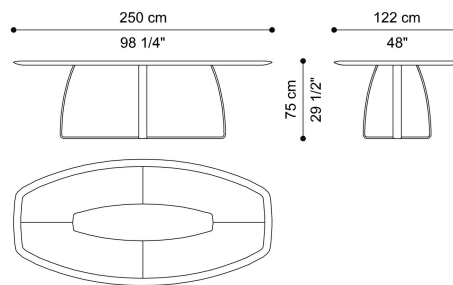
DIMENSIONS

DINING TABLE
F.WYN.123.B



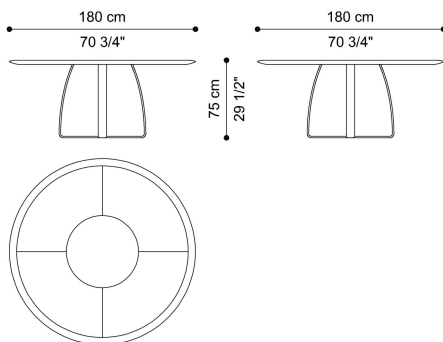
L 300 D 122 H 75 CM

DINING TABLE
F.WYN.123.C



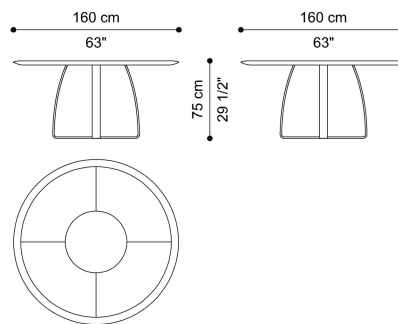
L 250 D 122 H 75 CM

DINING TABLE
F.WYN.121.B



Ø 180 H 75 CM

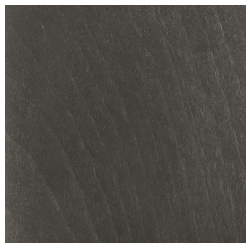
DINING TABLE
F.WYN.121.C



Ø 160 H 75 CM

STRUCTURE

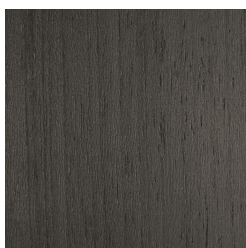
WOOD



Beech Wood Dyed
Smokey Grey - Matt

CENTRAL PART OF THE TOP

WOOD



Tay Veneered Dyed
Smokey Grey - Matt

BASE/TOP

MIRROR




Smoked Mirror

Bronzed Mirror

Natural Mirror

UPHOLSTERY

FABRIC / LEATHER

 [download the file in the product page](#)

