

ZURICH  
ARMCHAIRS

GIANFRANCO  
**FERRE**  
HOME



## DESCRIPTION

Structure in multilayer pine wood and solid fir wood.

Seat with elastic webbing and high density variable thickness expansive polyurethane foam.

Upholstery in fabric or leather from the collection.

Decorative piping and belts available only in leather from the collection, with decorative tone-on-tone stitching.

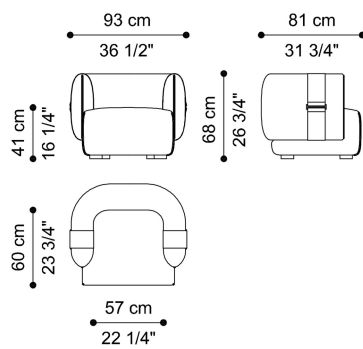
Wooden feet and metal buckles in Brushed Bronze finishing.

Gianfranco Ferré logo embroidered on the outer backrest with tone-on-tone stitching available as an optional.

## DIMENSIONS

### ARMCHAIR

#### F.ZUR.221.A



L 93 D 81 H 68 CM

## OPTIONAL

### GF LOGO

Embroidered GF logo (1 side)

#### F.ACC.884.AXX

## FEET

## WOOD

Brushed Lacquered Wood



Brushed Bronze  
Lacquered Wood

---

BUCKLES

**METAL**

Brushed Bronze



Metal Brushed  
Bronze

---

UPHOLSTERY

**FABRIC / LEATHER**

 [download the file in the product page](#)

---

ACCESSORIES

**DECORATIVE CUSHIONS**

 [download the file in the product page](#)