

BERN
SOFAS

GIANFRANCO
FERRE
HOME



DESCRIPTION

Structure in solid poplar wood, multilayer poplar wood and multilayer pine wood. Padding in high-density variable thickness expansive polyurethane foam. Under-seat frame with elastic webbing.

Upholstery in fabric or leather from the collection.

Structural back cushions in goose down with polyurethane foam insert, upholstered in fabric or leather from the collection. Optional GF embroidered logo.

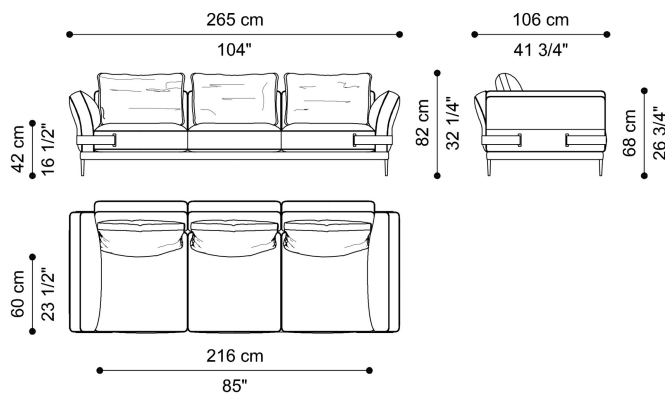
Decorative belts with tone-on-tone stitching and piping in leather from the collection.

Metal eyelets and feet with matt Black or Brushed Bronze finishing.

DIMENSIONS

3-SEATER SOFA

F.BBE.211.A



L 265 D 106 H 82 CM

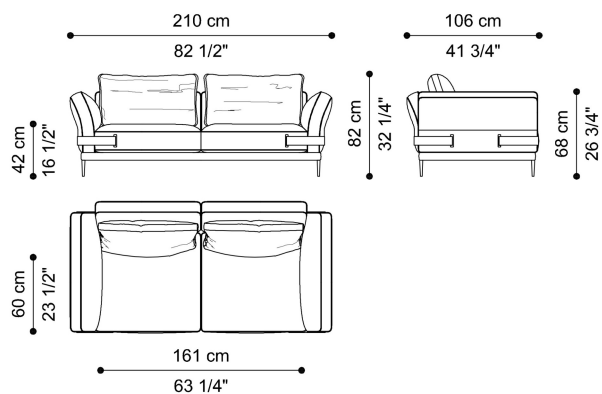
SINGLE CUSHION - STRUCTURAL BACK CUSHION FOR 3-SEATER SOFA F.BBE.211.A AND ARMCHAIR F.BBE.221.A

F.BBE.219.B

L 65 D 14 H 46 CM

2-SEATER SOFA

F.BBE.211.B



L 210 D 106 H 82 CM

SINGLE CUSHION - STRUCTURAL BACK CUSHION FOR 2-SEATER SOFA F.BBE.211.B

F.BBE.219.A

L 75 D 14 H 46 CM

OPTIONAL

GF LOGO

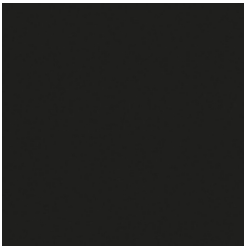
Embroidered GF logo (1 side)

F.ACC.884.AXX

FEET/DETAILS

METAL

Black - Matt



Metal Black - Matt


Brushed Bronze



Metal Brushed
Bronze


UPHOLSTERY

FABRIC / LEATHER

 [download the file in the product page](#)

ACCESSORIES

DECORATIVE CUSHIONS

 [download the file in the product page](#)