

KAMPPI
ARMCHAIRS

GIANFRANCO
FERRE
HOME



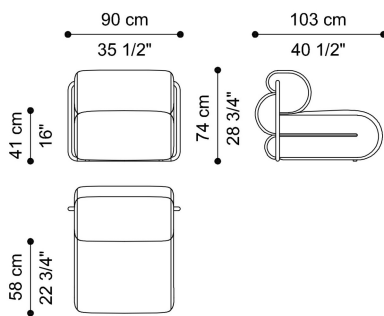
DESCRIPTION

Structure in multilayer poplar wood with padding in variable thickness high density expansive polyurethane foam and leacril fibre. Upholstery in fabric or leather from the collection. Tubular frame in metal with Brushed Bronze, Brushed Dark Bronze, Black Chrome, matt Black or Dust Grey finishing.

DIMENSIONS

ARMCHAIR

F.KAM.221.A

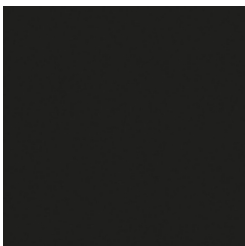


L 90 D 103 H 74 CM

STRUCTURE

METAL

Black - Matt



Metal Black - Matt

Black Chrome - Glossy



Metal Black Chrome
- Glossy

Brushed Bronze



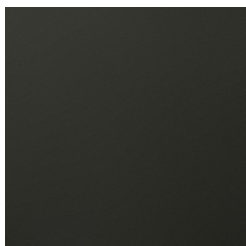
Metal Brushed
Bronze

Brushed Dark Bronze



Metal Brushed Dark
Bronze


Dust Grey - Matt



Metal Dust Grey -
Matt

UPHOLSTERY

FABRIC / LEATHER

 [download the file in the product page](#)

ACCESSORIES

DECORATIVE CUSHIONS

 download the file in the product page